



# M518R



**CLEANER, FASTER, *GREENER***

**TECHNICAL  
SPECIFICATION**

# TURNING WASTE INTO RESOURCE

The M518R is a compact recycling trommel that is designed to be used in various applications. It is packed with many features, including a 180 degree radial fines conveyor, offering huge stockpiling capacities.

The 180 degree swivel fines conveyor with up to 4.7m (15'5") discharge height makes the M518R the best in its class when it comes to stockpiles capacity. The conveyor swivel can be controlled from the remote control when the machine is operating, thus avoiding any downtime.

The M518R is ideal for small to medium sized operations where space may be limited. This trommel can screen a variety of material including compost, biomass, soil, gravel and waste.



# KEY FEATURES

Scan the QR code to read customer success stories



## SUITABLE FOR



Compost



Green Waste



Soil, Gravel & Sand



General Waste



Biomass



Waste Wood Shredded



Bark and Mulch

### DRUM (MESH OR PUNCHPLATE)

4.7m (15'5") Length  
 1.8m (5'1") Diameter  
 Powerful 4 Wheel Drive Mechanism  
 Inclined Drum @ 5 degrees  
 Easily Removable With Fold-Out Side for Maintenance And Application Flexibility  
 Brush Cleaner; 600mm (1'9"), 3.5mm (1/8") Bristle, Hydraulic Folding

### HOPPER

5m Cube Capacity  
 3750mm (12'3") x 1620mm (5'4") Feed Opening  
 1000mm (3'2") Belt Width  
 Head Drum

### RADIAL CONVEYOR

800mm (2'6") wide 3 ply Chevron Belt  
 Angle Adjustable From 20-30 degrees  
 4.7m (15'5") Discharge Height  
 Radial Drive Mechanism  
 180 Degree Range Of Movement  
 Compact Transport Envelope



### OVERSIZE CONVEYOR

1200mm (3'11") Wide Chevron Belt  
 Angle Adjustable 20-30 degrees  
 Discharge Height 2900mm (9'5")

### TRACKED UNDERCARRIAGE

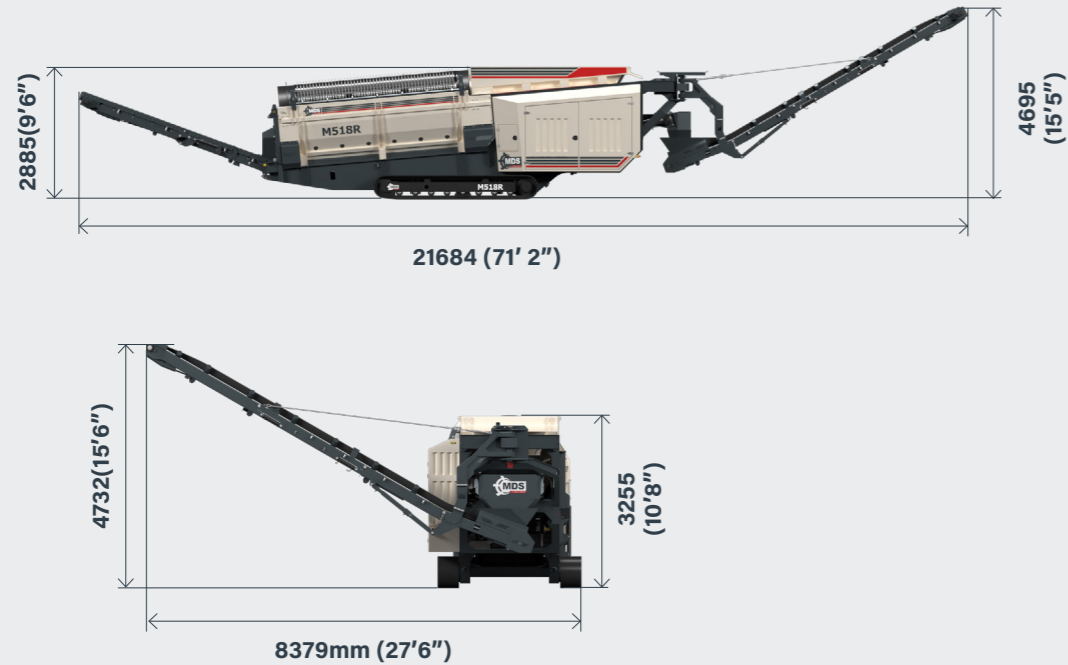
Standard Track Base  
 400mm (16") Shoe  
 3500mm (11'5") Sprocket Centres

### POWERUNIT

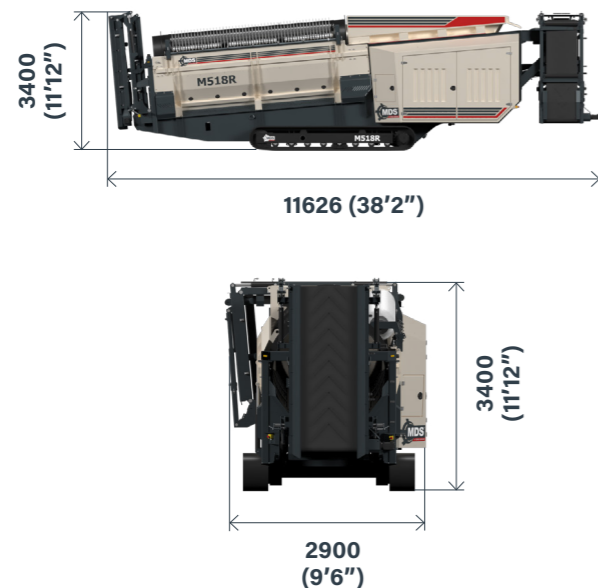
CAT C2.2 55kW (74hp)  
 Efficient and Powerful Hydraulics With Hydrostatic Drum Drive  
 Swing Out Engine For Fast And Easy Maintenance  
 User Friendly Control System

# DIMENSIONS

## WORKING DIMENSIONS



## TRANSPORT DIMENSIONS



# SPECIFICATIONS

### HOPPER

Hopper Capacity	5m
Feeder Width	1620mm (5'4")
Feeder Length	3750mm (12'3")
Feeder Type	Belt Feeder
Drive	Drive System with Compact Gearbox Solution

### FINES CONVEYOR

Belt Width	1050mm (3'11")
Belt Spec	3 Ply Belt
Tear drop scraper for effective cleaning	
Powerful motor gearbox drive mechanism	

### UNDERCARRIAGE

Tracks	Bolt On
Sprocket Centres	3500mm (11'5")
Shoe Width	400mm (16")

### OVERSIZE CONVEYOR

Belt Width	1200mm (2'6")
Belt Spec	Wide Chevron Belt
Discharge Height	2900mm (9'5")
Working Angle	20-30°

### TROMMEL DRUM

Drum Diameter	1.8m (5'11")
Drum Length	4.7m (15'5")
Incline Angle	5°
Drive Type	4 Wheel Drive Mechanism Bi Directional operation

Easily removable with fold-out side for maintenance and application flexibility

Active running pressure monitoring system to prevent blockages

Full drum clean brush; 600mm (1'9"), 3.5mm (1'8") bristle, hydraulic folding

Compatible with industry standard drums

### RADIAL CONVEYOR

Belt Width	800mm (2'6")
Belt Spec	3 Ply Chevron Belt
Discharge Height	4700mm (15'4")
Working Angle	20-30°

Powerful and simple radial drive mechanism with 180 degree range of movement

Compact folding for small transport envelope

### POWER UNIT

CAT C2.2 55kW 74hp
Efficient and Powerful Hydraulics with Hydrostatic Drum Drive
Swing Out Engine for Fast and Easy Maintenance
User Friendly Control System



Scan the QR code  
to visit our website

### **Ireland**

Drummond, Magheracloone  
A81 TE82, Carrickmacross  
Co. Monaghan, Ireland  
Tel: +353 42 966 7899  
Email: [mds.info@terex.com](mailto:mds.info@terex.com)

### **USA**

Louisville  
11001 Electron Drive,  
Louisville, Kentucky, 40299 USA  
Tel: +1 502 736 5233  
Email: [mds.info@terex.com](mailto:mds.info@terex.com)

**[www.terex.com/mds](http://www.terex.com/mds)**



The material in this document is for information only and is subject to change without notice. MDS assumes no liability resulting from errors or omissions in this document, or from the use of the information contained herein. Photographs are for illustrative purposes only; some or all of the machines in the illustrations may be fitted with optional extras. All machines are CE Approved.